

Part I: Basic Technical Data for Z9

Certifications	TUV	UL
Standard	IEC 62790	UL3730
Certification No.	R 50362602 (IEC)	E 351403
Wire Size	1X2.5mm ² / 1X4.0mm ²	14AWG / 12AWG
Rated System Voltage	1000V DC or 1500V DC	
Rated Current	10A(UL)/8A(TUV), YJ 10A10G	
	15A(UL)/16(TUV), YJ 20SQ045	
	15A(UL)/16(TUV), NO DIODE	
Reverse Current	25A with diode	
	16A without diode	
Temperature Range	-40°C ~ 85°C	
Safety Class	Class II	
Flame Resistance	5VA	
Protection Degree	IP68	
Sealing type	Potting	
Volume of Silicon Gel	Appr. 13mL	
Material of contact rails	Brass	
Bus ribbons size	Width: 2.0mm ~ 10.0mm, Thickness: 0.2mm ~ 0.5mm	
Connecting of bus ribbons	Soldering	
Box size	See page 3.	
No. of Diode	1 or None	
Insulation Material	PPO	

Connector:

Manufacturer	Type	Approval
Zerun Co.,Ltd.	Z4S	TUV:R50363877, UL:E351402
Tyco Electronics (Shanghai) Co., Ltd.	PV4-S1yx	TUV:R50372137, UL:E353372
Multi-Contact AG Basel	PV-KST4/xy-UR; PV-KBT4/xy-UR	TUV:R60111354, UL:E343181
	PV-KBT4-EVO2/xy, PV-KST4-EVO2/xy	TUV:R60098495, UL:E349713
Amphenol Industrial Operations	H4-abcdef	TUV:R50388083, UL:E339277
	UTX	TUV:R50340393, UL:E339277

Part II: Z9 Naming Code

Z9-a b c d e f - g h

Cable:	E: 2.5mm ² /14AWG, Zerun F: 2.5mm ² /14AWG, Honglin G: 2.5mm ² /14AWG, Xinhongye H: 2.5mm ² /14AWG, Baohing I: 4.0mm ² /12AWG, Zerun
Material	-C: YJ20SQ045 -E: YJQ10A10 -N: None
Material	-1: PPO+ Horizontal bus-bar -2: PPO +Vertical bus-bar
Connector type:-	S: Zerun, Z4 (DC1000V) Z: Zerun, Z4S (DC1500V) P: Tyco, PV4-S14.0 (DC 1500V) M: PV-KST4/6II;PV-KBT4/6II (DC 1000V) H: H4 4,0mm2 (DC1000V) E: PV-KBT4-EVO, PV-KST4-EVO (DC1500V) U: Amphenol, UTX (DC1500V)
System voltage:	- K: 1000V; - O: 1500V
Rated Current:	A: 10A(UL)/8A(TUV),YJ 10A10G G: 15A(UL)/16(TUV),YJ 20SQ045 F: 15A(UL)/16(TUV), NO DIODE
Connection type:	S: Soldering
Diode & Rails:	1: 1 diode,2 conducting rails D: no diode, 2 conducting rails
J-box Series:	- Z9: Traditional Triple potting J-Box

Part number examples

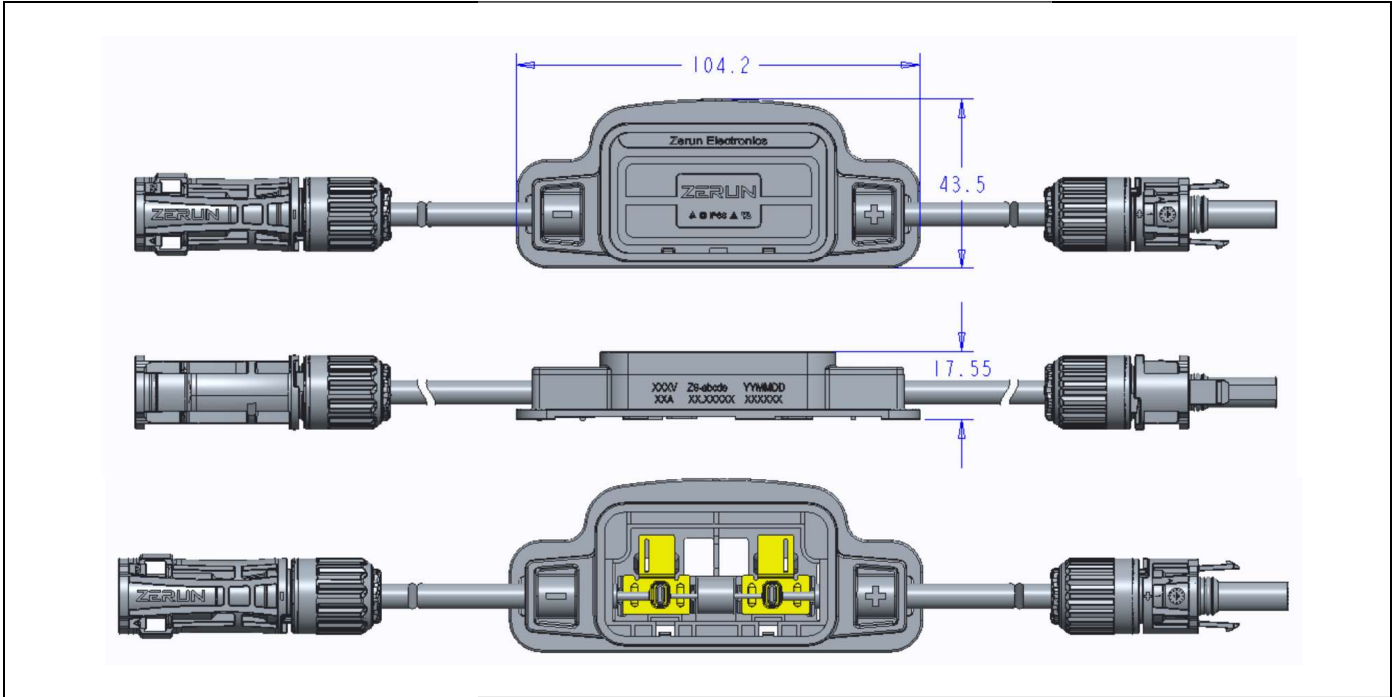
Z9-1SGOZ2-CE

Junction Box Assembly,1 diodes,rated current 15A(UL)/16(TUV),1500V certification, Z4S connector,PPO material, Zerun 14awg cable,YJ20SQ045 Diode

Z9-DSFOZ1-NI

Junction Box Assembly,No diode, rated current 15A(UL)/16(TUV),1500V certification, Z4S connector,PPO material, Zerun 12awg cable

Part III: Pictures for Z9-abcdef-gh(a=1)



Part IV: Pictures for Z9-abcdef-gh(a=D)

