

Part I: Basic Technical Data for Z9

Certifications	TUV	UL
Standard	IEC 62790	UL3730
Certification No.	R 50362602 (IEC)	E 351403
Wire Size	1X2.5mm ² / 1X4.0mm ²	14AWG / 12AWG
Rated System Voltage	1000V DC or 1500V DC	
Rated Current	10A(UL)/8A(TUV), YJ 10A10G	
	15A(UL)/16(TUV), YJ 20SQ045	
	15A(UL)/16(TUV), NO DIODE	
Reverse Current	25A with diode	
	16A without diode	
Temperature Range	-40°C ~ 85°C	
Safety Class	Class II	
Flame Resistance	5VA	
Protection Degree	IP68	
Sealing type	Potting	
Volume of Silicon Gel	Appr. 13mL	
Material of contact rails	Brass	
Bus ribbons size	Width: 2.0mm ~ 10.0mm, Thickness: 0.2mm ~ 0.5mm	
Connecting of bus ribbons	Soldering	
Box size	See page 3.	
No. of Diode	1 or None	
Insulation Material	PPO	

Connector:

Manufacturer	Type	Approval
Zerun Co.,Ltd.	Z4S	TUV:R50363877, UL:E351402
Tyco Electronics (Shanghai) Co., Ltd.	PV4-S1yx	TUV:R50372137, UL:E353372
Multi-Contact AG Basel	PV-KST4/xy-UR; PV-KBT4/xy-UR	TUV:R60111354, UL:E343181
	PV-KBT4-EVO2/xy, PV-KST4-EVO2/xy	TUV:R60098495, UL:E349713
Amphenol Industrial Operations	H4-abcdef	TUV:R50388083, UL:E339277
	UTX	TUV:R50340393, UL:E339277

Part II: Z9 Naming Code

Z9-a b c d e f - g h

Cable: E: 2.5mm²/14AWG, Zerun
 F: 2.5mm²/14AWG, Honglin
 G: 2.5mm²/14AWG, Xinhongye
 H: 2.5mm²/14AWG, Baohing
 I: 4.0mm²/12AWG, Zerun

Material -C: YJ20SQ045
 -E: YJQ10A10
 -N: None

Material : -2: PPO

Connector type:- S: Zerun, Z4 (DC1000V)
 Z: Zerun, Z4S (DC1500V)
 P: Tyco, PV4-S14.0 (DC 1500V)
 M: PV-KST4/6II;PV-KBT4/6II (DC 1000V)
 H: H4 4,0mm² (DC1000V)
 E: PV-KBT4-EVO, PV-KST4-EVO (DC1500V)
 U: Amphenol, UTX (DC1500V)

System voltage: - K: 1000V; - O: 1500V

Rated Current: A: 10A(UL)/8A(TUV),YJ 10A10G
 G: 15A(UL)/16(TUV),YJ 20SQ045
 F: 15A(UL)/16(TUV), NO DIODE

Connection type: S: Soldering

Diode & Rails: 1: 1 diode,2 conducting rails
 D: 2 conducting rails

J-box Series: - Z9: Traditional potting J-Box

Part number examples

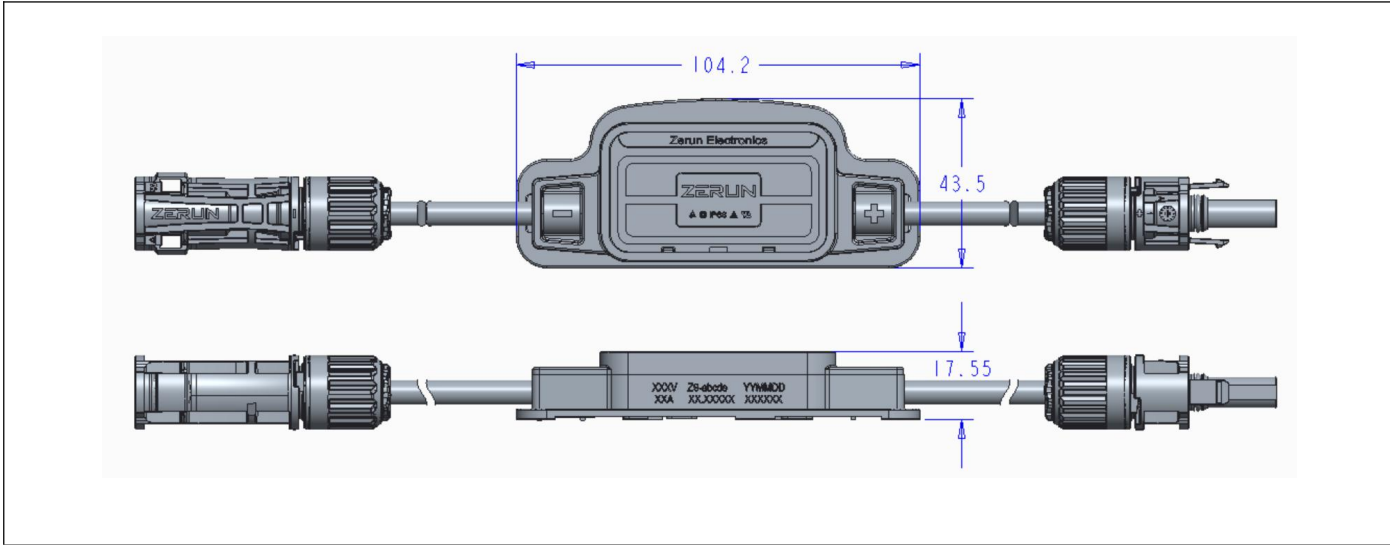
Z9-1SGOZ2-CE

Junction Box Assembly, 1 diodes, rated current 15A(UL)/16(TUV), 1500V certification, Z4S connector, PPO material, Zerun 14awg cable, YJ20SQ045 Diode

Z9-DSFOZ2-NI

Junction Box Assembly, rated current 15A(UL)/16(TUV), 1500V certification, Z4S connector, PPO material, Zerun 12awg cable

Part III: Pictures for Z9-abcdef-gh(a=1)



Part IV: Pictures for Z9-abcdef-gh(a=D)

